

# Next Generation Asian Research and Education Network

Kanchana Kanchanasut

Internet Education and Research Lab  
Asian Institute of Technology  
Thailand

# Research & Education Net

- Connectivity
- Testbed for new protocols
- Communication channels for researchers (computational intensive, Big data science)
- Not competing with commercial internet.

# National REN

- Domestic network for R&E
- Many REN activities in AsiaPac were formed before commercial Internet e.g. Australia, NZ, Japan, Thailand, Singapore, Vietnam etc.. instrumental to Internet development
- Funded by govts/private sectors/self-financing

# International REN in APAC

- WIDE Project => AI3 Project using satellite (uni-directional) IETF RFC 3077 in 2001
- APAN (US-JP Transpac Link)
- TEIN
  - TEIN1 Korea-France  
==> 2, 3, 4.. Asi@Connect

# TEIN's achievements

- Connectivity
- Testbed for new protocols (DVTS, SDN, Openflow, Cloud)
- Communication channels for researchers (computational intensive, Big data science)
- Not competing with commercial Internet (GGC placed in NRENs)

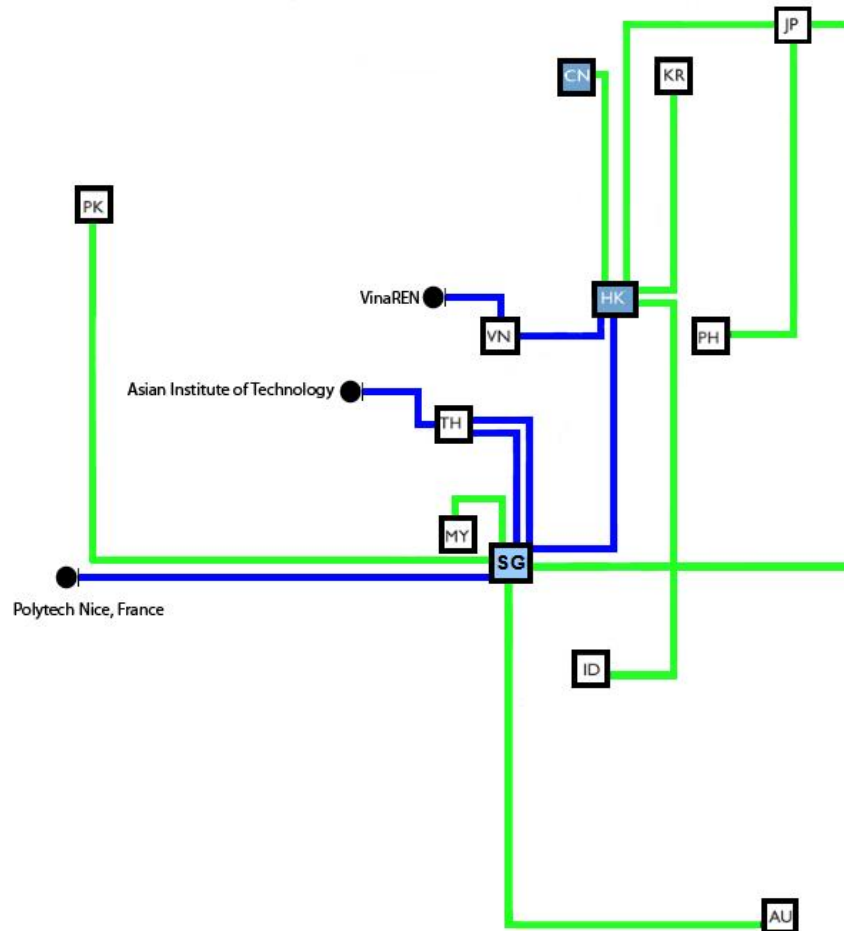


# CanalAVIST Events

## International Conference on Sustainable Development in the context of Climate Change

21 September – 02 October 2009  
AIT, Thailand

Remote: AIT Center, Vietnam  
Polytech Nice, France

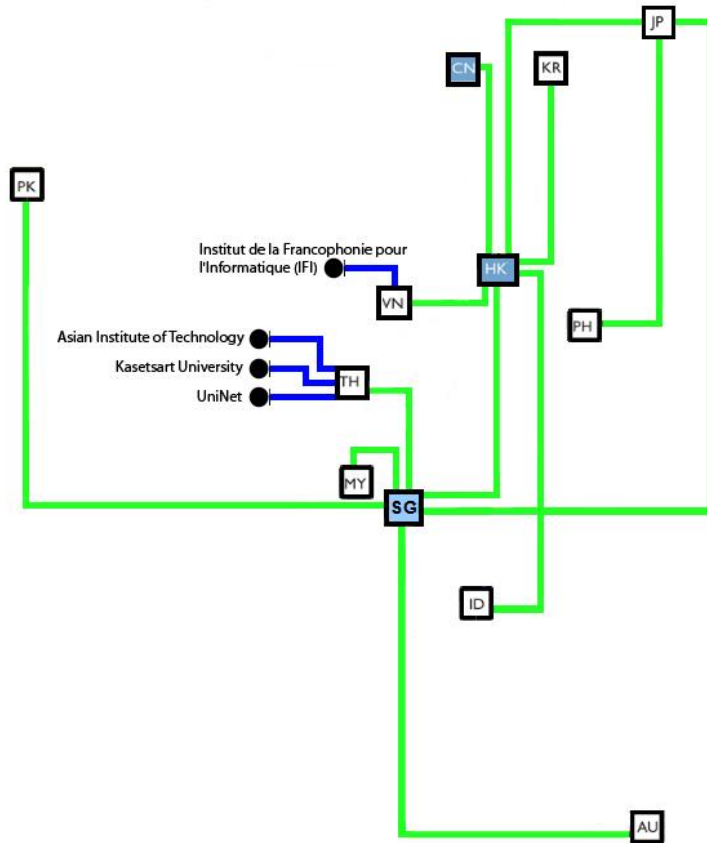


# CanalAVIST Events

## ACGRID-II School on Advanced Computing and Grid Technologies for Research

24-25 September 2009  
Institut de la Francophonie pour l'Informatique,  
Hanoi, Vietnam

Remote: AIT, Thailand  
Kasetsart University, Thailand  
UniNet, Thailand



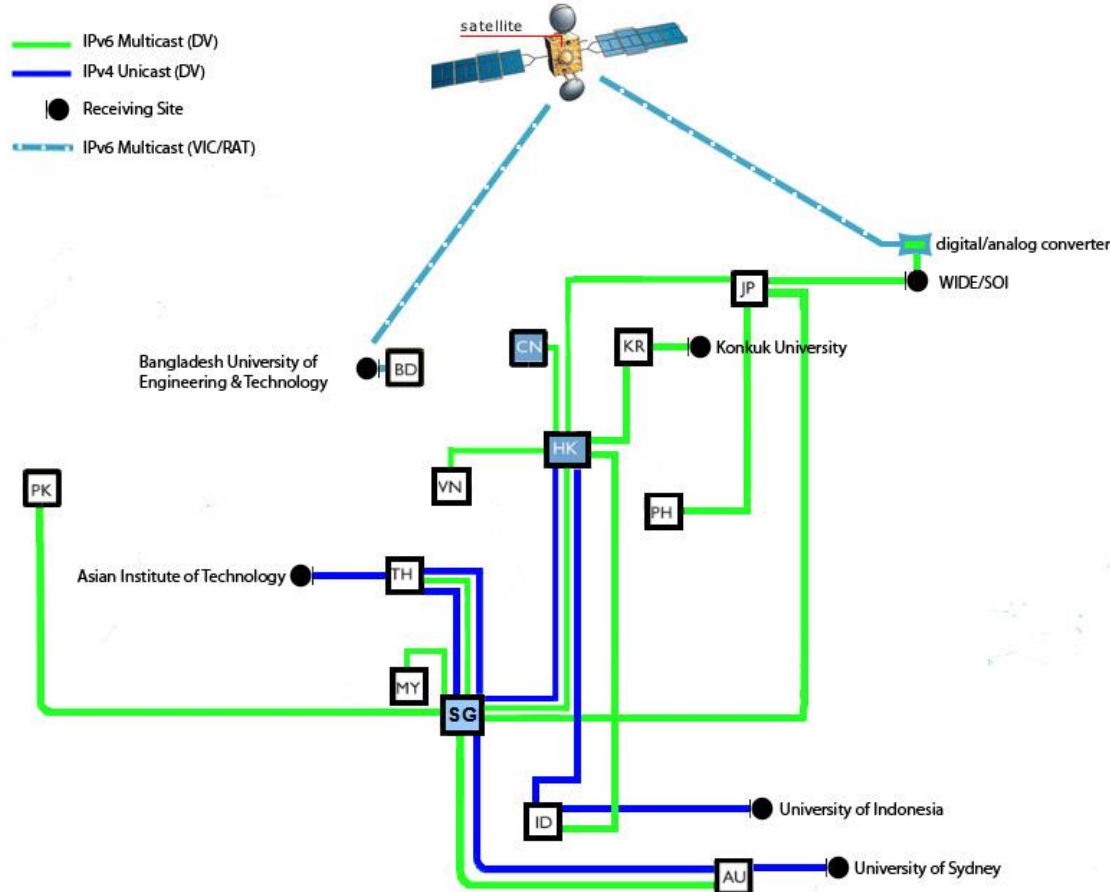


# CanalAVIST Events

## 20<sup>th</sup> Asian School on Computer Science

15-16 November 2009  
AIT, Thailand

Remote: Konkuk University, Korea  
University of Sydney, Australia  
BUET, Bangladesh (through SOI Asia)  
University of Indonesia



# Members

Institutes in Southeast Asia nominated by ASEAN COST/SCIRD  
*The Science University of Malaysia and the Technology  
University of Malaysia (Malaysia), West Yangon Technological  
University and Mandalay Technological University (Myanmar),  
National University of Singapore (Singapore), Chulalongkorn  
University, Mahidol University and National Science and  
Technology Development Agency – NSTDA (Thailand), Vietnam  
National University and National Center for Science and  
Technology Information – NACESTI (Vietnam)*

Others:

Konkuk University, Seoul, Korea

Universite Medicale Virtuelle Francophone (UMVF), France

# Next Generation Research & Education Net

- It is time for **REAL** collaborations!

**8**

- Regular activity such as CanalAVIST
- Sharing of resources TEIN Cloud? TEIN CDN? TEIN ICN?
- Research database subscriptions
- Asi@Connect should focus on more research collaborations for long term sustainability of RENs.

Thank You